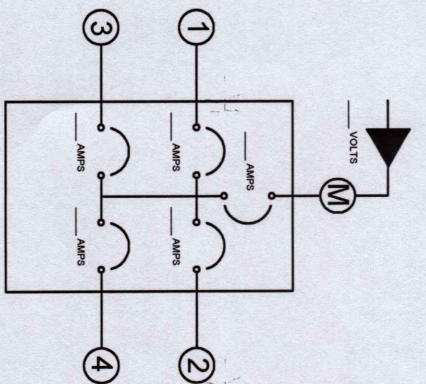


# GENERAL NOTES:

1. ALL ELECTRICAL WORKS HEREIN SHALL BE EXECUTED TO THE REQUIREMENTS OF THE FOLLOWING:
  - A. RULES AND REGULATIONS OF MUNICIPALITY
  - B. ZAMBALES II ELECTRIC COOPERATIVE, INC.
2. MINIMUM SIZE OF WIRE SHALL BE #12 TW FOR LIGHTING AND CONVENIENCE OUTLET
3. MINIMUM SIZE OF WIRE SHALL BE #6 DX FOR SERVICE ENTRANCE WIRE

## POWER AND LIGHTING LAYOUT

# PANEL DIAGRAM



# LEGEND:

- WIRE
- CONVENIENCE OUTLET
- ⊙ LIGHT, CFL INCANDESCENT LAMP
- S<sub>1</sub> SWITCH, 1 GANG
- S<sub>2</sub> SWITCH, 2 GANG
- POWER PANEL
- ⤴ CIRCUIT HOME RUN
- ➔ SERVICE ENTRANCE
- ⊞ FUSE

### FORMULA:

$$\text{TOTAL VA} = \text{AMPS RATING} \times 220 \text{ VOLTS} \times 1.25$$

### SCHEDULE OF LOADS:

#### PANEL: MAIN PANEL

| CKT NO. | LOAD DESCRIPTION   | FUSE RATING | QUANTITY | CONNECTED LOADS | WIRE |
|---------|--------------------|-------------|----------|-----------------|------|
| 1       | LIGHTING OUTLET    |             |          |                 |      |
| 2       | CONVENIENCE OUTLET |             |          |                 |      |
| 3       |                    |             |          |                 |      |
| 4       |                    |             |          |                 |      |

MAIN: \_\_\_\_\_ AMPS  
 VOLTAGE: \_\_\_\_\_ VOLTS  
 SERVICE: \_\_\_\_\_ DX/TW

PROJECT TITLE

OWNER / REPRESENTATIVE

ADDRESS

SIGNATURE OVER PRINTED NAME

ENGINEER / ELECTRICIAN

SIGNATURE OVER PRINTED NAME

SHEET CONTENT

1. GENERAL NOTES
2. POWER AND LIGHTING LAYOUT
3. LEGEND
4. SINGLE LINE DIAGRAM
5. SCHEDULE OF LOADS

**AOD**  
 ELECTRICAL  
 LAYOUT  
 FORM 2017